



HONG CHIANG

# Any Meals Possible and Fast!

Hong-Chiang Uses Automated Equipment To Increase Your Competitivity And Reduce Labor Costs. Our Equipment Can Not Only Be Used For Food Industry, But Also Other General Ones, Such As Industrial Automation And Exhibitions.

Not only Food industry,our equipment can also be applied to other general ones such as industrial automation and exhibitions.



**Automated Express  
Food Delivery System**



**Sushi Conveyor Belt System**





**Export to over 35 countries!**

**The pioneer of intelligent automated system, first choice for customer satisfaction.**



## **Company Profile**

### **INNOVATIVE TECHNOLOGY, AUTOMATED MEAL DELIVERY, CREATE A NEW TREND OF CATERING!**

Since the inception, Hong Chiang has focused on various automated system development to help different restaurants and other industries reduce labor costs and increase competitive capacity. We have unique ability to design and innovate new equipment for Automated Delivery System, especially “Express Food Delivery system” and “Conveyor Belt System”.

By following our steady and prudent thought, we create high quality, best products with reasonable prices for our customers.

Futhermore, complete-productive standard at any process stages from design procedure to productions completed, we deliver our best products to our customers on time with best after sales service. Hong Chiang will be the best facility provider for Your business.





# CONTENTS

Any Meals Possible and Fast!

Automated Express Food Delivery System	04-05
Sushi Conveyor Belt System	06-07
Customize your exclusive System	08-09
System Combination	10-11





# BULLET TRAIN DELIVERY SYSTEM

FAST AND ACCURATE, DECREASE PERSONNEL COST AND INCREASE PROFIT.

Combined latest WiFi, Infrared, and Wireless Battery Charge technology, intelligent delivery train detects plates and activate battery charge automatically. Besides several standard train models, train design, color, and logo position can also be customized.

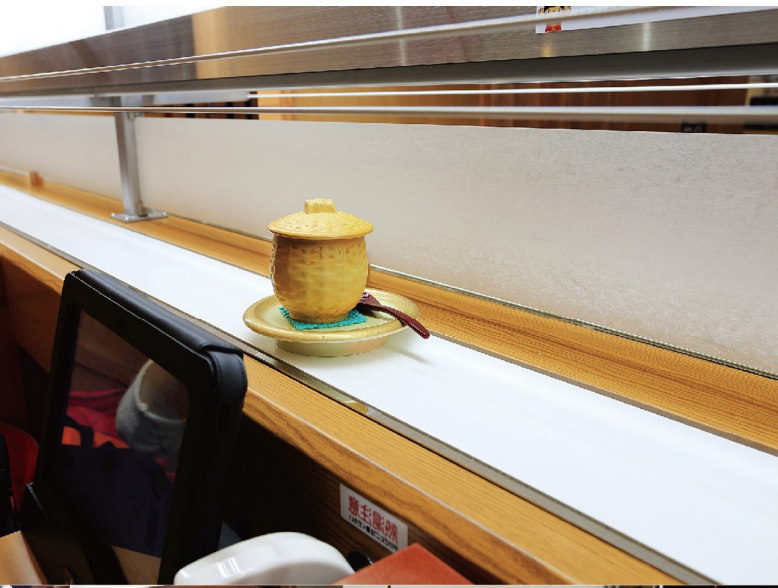
## STRAIGHT LINE EXPRESS TRAIN

Straight track design provides highest delivery efficiency. Express train gives customers visual sensation along with interesting interactions during food delivering and upgraded dining experiences to the next level.

## TURNABLE EXPRESS TRAIN

To adapt various space availability, turning express train special designs can be customized according to customer's desire and interior style with multiple turns.





# EXPRESS FOOD DELIVERY CONVEYOR BELT

FOOD DELIVERY SYSTEM WITH LANE BELT WHICH PROVIDES BEST EFFICIENCY.

“Express Food Delivery Conveyor Belt” can be applied in various ways, without the space restraints from the delivery tray, the delivery lane handles multiple products at the same time. “Express Delivery Lane” delivers products to the pre-setup tables, it's very fast and convenient.

## EXPRESS FOOD DELIVERY LANE

Straight track design, the meals are delivered in a straight line, and the meals are delivered more quickly and smoothly. Guests can enjoy more honorable and fast service, making the delivery of meals not only more efficient but also fun.

## AUTOMATIC TRAY SERVING DELIVERY LANE

Unique design that pushes tray out of delivery lane, directly towards customer table. Customers don't have to take the meals out from delivery lane.





# SUSHI CONVEYOR BELT

CONTINUOUS MOVING SUSHI BAR CONVEYOR

Chain Conveyor Style is very common seen and used among the restaurants, dishes/objects could be placed on top of the crescent cover which are dragged by the chain underneath.

## MAGNETIC CONVEYORS BELT

Magnetic induction style is whole lot different than t regular chain conveyor style. By using magnet suctions to transport plates on the countertop, just like a table, smooth and shine. The countertop for “Magnetic Induction Style” comes with various materials, such as: wooden, natural stone, artificial stone, glass, metal, or acrylic...etc., up to your choices based on stare or restaurant design.

## CHAIN SUSHI CONVEYOR BELT

“Chain Sushi Conveyor” is most popular restaurant equipment in current market, by connecting each crescent chain to form a complete set of sushi conveyor. “Chain Sushi Conveyor” can also be used in various industries for different business purposes, such as exhibition, or transportations.





# DISPLAY CONVEYOR

THE BEST 360 DEGREE PRODUCTS PRESENTATIONS

Hong-Chiang offers display conveyor for your customers to enjoy the sight of your products while standing in one spot, and they will be able to view all the products using this conveyor system.

## CHAIN DISPLAY CONVEYOR

On chain-conveyor moving presentation, the crescent top are perfectly fitted on rail. You can put the exhibits directly on the crescent top without additional base plate, which gives you more flexibility in display arrangement.

## MAGNETIC DISPLAY CONVEYOR

"Magnetic Display Conveyor" hides the tracks underneath display countertops, make the whole table smooth and shine. It is perfect for demonstrating boutiques or fine objects! You can choose different countertop materials to match your product for better visual effect and presentation result.

## DISC DISPLAY CONVEYOR

Disc display conveyor is using disc carrier to transport your merchandise, it is very common in exhibitions or showcase!



# Customize your exclusive System

## Automated Food Delivery System

### Bullet Train Delivery System

A steady and speedy attractive delivery train with automated return function.



### Express Food Delivery Lane

Without the size limitation of plate or tray, the express food delivery lane is able to handle multiple meals or products at the same time.



### Hot Water System

Digital constant temperature system controls water temperature, self hot-tea service for each customer.



### Automated Basket Collecting System

Automatic transfer of the basket to the kitchen.



### Plate Washing Machine

Automatic plate washing, disinfecting, drying function with waterproof control panel.



### Express Delivery Control System

KDS system works with delivery line that presents accurate and extreme delivery efficiency.



### Freshness System

It would screen out the food revolving on the conveyor for too long, and prevents customers from eating the stale food.



### Belt Transfer System

This system can control the food delivery distance.



### Ordering System

Support both IOS and Android systems, Seat Leading, Ordering, Delivering, all in one.



### Diversified materials

Available in a variety of material panels for selection



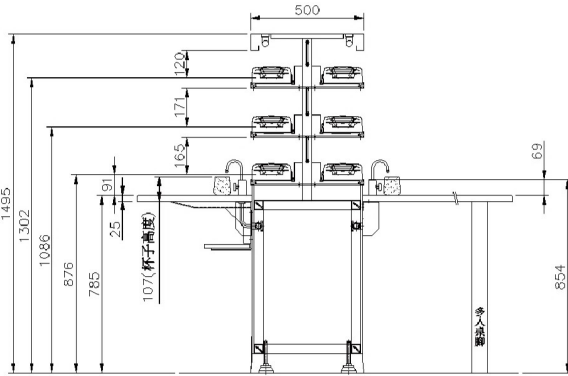
### Diverse Restaurant Application

This express meal delivery system can be applied to various types of restaurants, such as Japanese food, hot pot, BBQ, sweets stores, Ice cream stores, Chinese food, Italian food restaurant...etc. By adopting the express food delivery system, waiters don't have to run around the outfield to serve meals and customers.

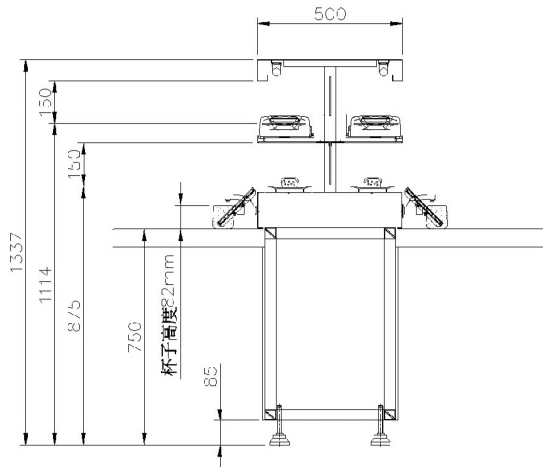


## System Combination (Can be up to three layers)

According to your store design and style requirements, we will provide you reasonable commercial space utilization, achieve the best benefits of brand management with the freedom and diversity to meet your customized needs.



### 3 Layers-Bullet Train Delivery System



### 2 Layers Bullet Train Delivery System+ Express Food Delivery Lane

## Features

- Applicable to the restaurant mode with high frequency of ordering. e.g., sushi restaurant, Chinese restaurant, etc.
- Meal are freshly made as ordered.
- Offering precise deliver locations, increase table turnover rate.
- Reduce in-store personnel costs and delivering risks.
- Fashion and interesting, and eye-catching.

## Specification

- Maximum Load:4kg
- Size : MAX.30m
- Speed:60m/min
- Stop Number:30

## Features

- Restaurant for a variety of plate shapes e.g., sushi restaurant, Hot pot restaurant and buffet restaurant, etc.
- Meal are freshly made as ordered.
- Direct delivery without meal type restriction.
- Reduce in-store personnel costs and shipping risks.
- Fashion and interesting, and eye-catching.

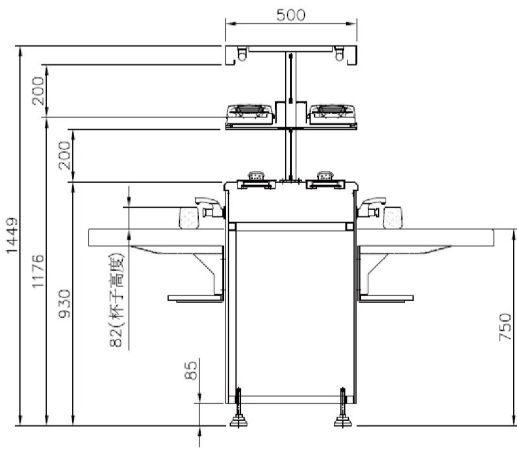
## Specification

- | Bullet Train       | Delivery Line      |
|--------------------|--------------------|
| • Maximum Load:4kg | • Maximum Load:4kg |
| • Size : MAX.30m   | • Size : MAX. 30m  |
| • Speed : 60m/min  | • Speed:60 m/min   |
| • Stop Number:30   | • Stop Number:30   |

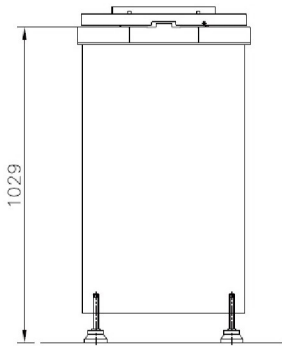
## Diversified materials







**2 Layers  
Bullet Train Delivery System+  
Single Deck Chain Sushi Conveyor**



**1 Layer  
Flat Car Delivery System**

## Features

- Suitable for ordering different types of restaurant e.g.,sushi restaurant, Chinese restaurant and buffet restaurant,etc.
- Meal keep circline more convenient for customers to take.
- Meals are freshly made as ordered.
- Reduce in-store personnel costs and shipping risks.
- Fashion and interesting, and eye-catching.

## Specification

Bullet Train	Sushi Conveyor
• Maximum Load:4kg	• Material : customized
• Size : MAX.30m	• Size : customized
• Speed:60m/min	• Speed : 5 m/min
• Stop Number:30	• Maximum Load:500kg

## Features

- Suitable for set menus and large meals restaurant. e.g.,Ramen shop, hot pot restaurant, fast food restaurant, etc.
- Main dish, soup, refreshments, desserts served once.
- Capable to conquer corners and remain stable delivery.
- Suitable for bar type and multi-corner restaurants.
- Meals are freshly made as ordered.
- Reduce in-store personnel costs and shipping risks.

## Specification

- Maximum Load:4kg
- Size : MAX.30m
- Speed: 60m/min
- Stop Number: 30
- Tray Size : Max.60x48cm

## Bullet Train Delivery System Style Selection

We offer 3 standard train design. Color is selectable. If you need different styles or need to design your own, you can provide design drawings or discuss the shape with our designer and adjust the shape to meet your needs. The color and trademark configuration are also adjustable to meet your customized needs.



### Bullet Train

The most popular styling delivery train, gaze the desire of railway fans.

- Tray Size : Max.61x12.5cm

### Racing Car

Experience the thrill of the food delivery car, the entrance is not only the delicious food, but also the visual sense of speed!

- Tray Size : Max.61x13cm

### Maglev

It carries various meals, drinks, soups and food. Liquid does not spill during turning.

- Tray Size : Max.29x12.5cm

### Flat Car

Suitable for set menus and large meals restaurant.Main dish, soup, refreshments, desserts served once.

- Tray Size : Max.31x25cm





# Hong Chiang Technology Industry Co., LTD

## Taichung Head Office

No.60-13, Quian-Liao Rd., Shengang Dist., Taichung City, Taiwan

+886-4-25263939

contactus@hong-chiang.com.tw

www.hong-chiang.com.tw

## China Office

F. Building, Hansheng Industrial Area, Gangzi village,

Changping Town, Dongguan City, Guangdong Province, China

+86-13712357046

contactus@hong-chiang.com.tw

[https://hongchiang.1688.com/?spm=a2615.2177701.wp\\_pc\\_common\\_topnav\\_38229151.0](https://hongchiang.1688.com/?spm=a2615.2177701.wp_pc_common_topnav_38229151.0)



Hong Chiang WEB



@hongchiang



Hong Chiang WeChat

鴻匠智能餐廳設備



Hong Chiang FB